

XB4

TYPE 703

Date of design:- 1928.

This type has 3 Mark VI Moving Coil Hydrophone Plate Receivers (1)(2)(3) (see page XA3).

Supply to the hydrophone electromagnet is 20 volts from the low power switchboard, and a D.P. switch (5)(6) or (7) is placed in the negative lead of each hydrophone and an ammeter (8) in the common negative lead. Output from the moving coils pass through the second contacts of the D.P. switches (5)(6)(7) to a Note Magnifier N17 (9). N17 is a modified Note Magnifier N9, adapted for use with Hydrophone Installations. The input terminals are connected to the tapped primary of a transformer, the secondary of which is connected between grid and filament of the first valve. A switch on the front of the instrument varies the number of turns of the primary in use. The remainder of the circuit of N17 is shown in figure f. page I4. The output from the N17 is taken through a telephone transformer (10) to the operator's telephones (12) and also the Captain's (13) if plugged in.

The Captain can speak to the operator by means of the telephone (13) with battery (19) and transformer (20).

A special electromegaphone is fitted so that the operator can speak to the Captain.

An R. D. H. was originally fitted but has been removed.

NOTE Type 703 is being converted to Type 709 as the moving coils become defective.

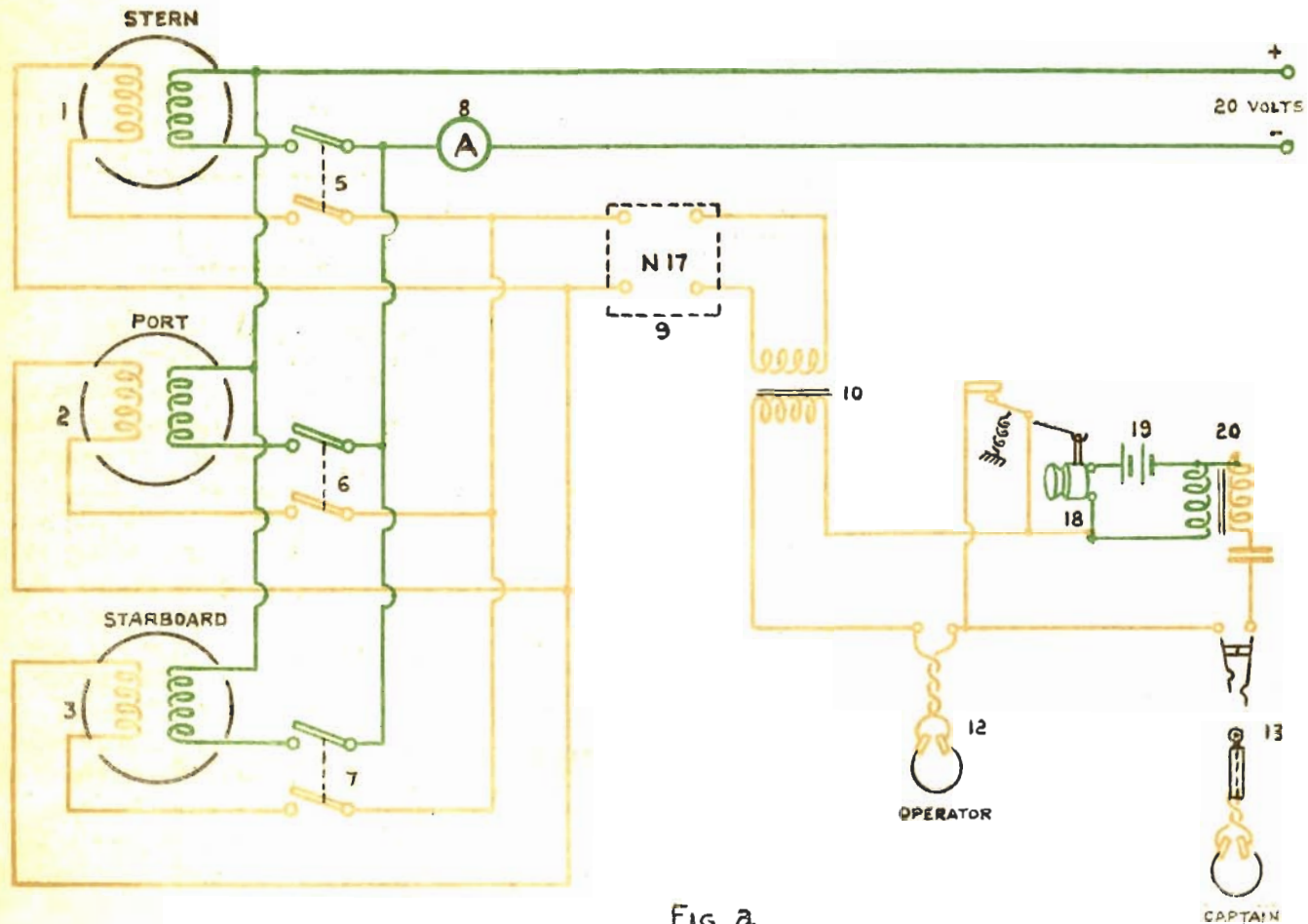


FIG. 2.